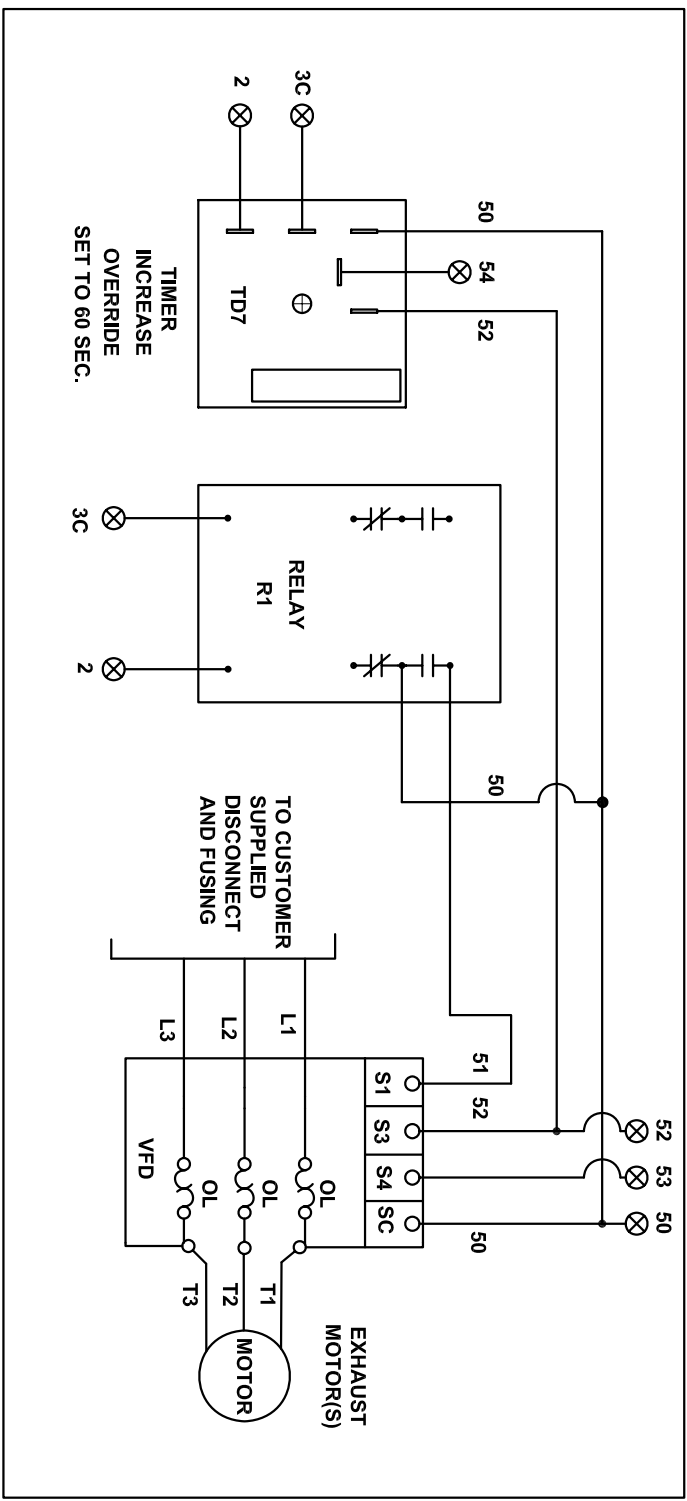
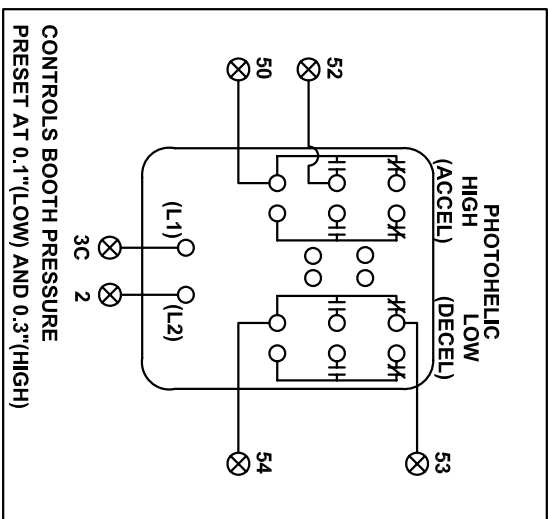


REVISION	ZONE	DESCRIPTION	DATE	DRWN	APVD
SHT2 SHT1	A	DRR-1529	MAR15.07	JM	-
-	B	DRR-1712	OCT.27.08	JM	-

LOCATED ON VFD PANEL INSIDE CONTROL ENCLOSURE



PHOTOHELIC LOCATED INSIDE SEPARATE REMOTE ENCLOSURE



CONTROLS BOOTH PRESSURE
PRESET AT 0.1"(LOW) AND 0.3"(HIGH)

- PROGRAM PARAMETERS**
- C1-01=20 ACCEL TIME (SEC)
 - C1-02=20 DECEL TIME (SEC)
 - d2-02=50% MINIMUM HZ (50%=30HZ)
 - E1-05=MOTOR NAME PLATE VOLTS
 - E2-01=MOTOR FULL LOAD AMPS
 - H1-03=10, H1-04=11, H1-07=0F
 - L2-01=1, L5-01=5

WIRES CONNECTED TO CONTROL PANEL: 2, 3C

WIRES CONNECTED TO REMOTE PANEL CONTAINING PHOTOHELIC 50, 52, 53, 54 (MUST BE SHIELDED)

OPERATION:

BOOTH PRESSURE HIGH - VFD (EXHAUST) SPEEDS UP
BOOTH PRESSURE LOW - VFD (EXHAUST) SLOWS DOWN

DESIGNED BY/DATE: J. MCGEE	DRAWN BY/DATE: FEB. 5, 07	TITLE: YASKAWA V1000 VFD 10 TO 25HP PHOTOHELIC
CHECKED BY/DATE: APPROVED BY/DATE:	REVIEWED BY/DATE:	SCALE: C
DATE: FEB. 5, 07	DATE:	DWG. TYPE: ENG
SIZE: 3 DECIMAL PLACES ±.02	SIZE: 3 DECIMAL PLACES ±.015	LOCATION: B/FLO
ANGLES: 31°	UNIT: INCHES	SHEET: 1 OF 1
FINISH: -	APPROVED BY/DATE:	REV: B

BANANZA